

BUS & COACH

THE
3000
SERIES

BUSflo 10

AUTOMATIC DIAPHRAGM PUMP




EXPERT GB FLUID TECHNOLOGY

BUSflo®

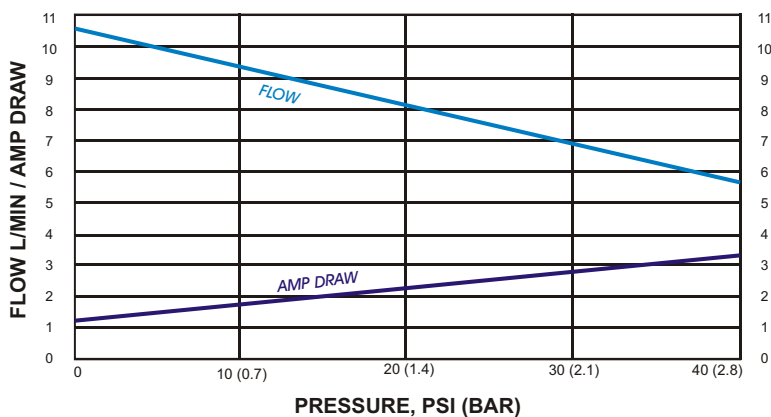
WATER PUMPS

SPECIFICATION

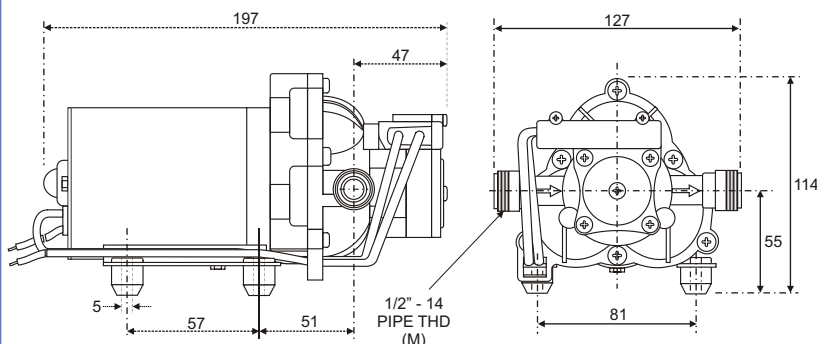
10.6 litre/min 24v fresh water pump

Model No.	- 3000-171-2306	Liquid Temperature	- +54°C max	CE
Pump design	- Positive displacement, 3-chamber diaphragm pump.	Ports	- 1/2 inch male parallel thread.	e11 0 2 2 9 1 6
Check valve	- Prevents reverse flow.	Construction Materials	- Plastics - Polypropylene Valves - EPDM. Diaphragms - Santoprene	
Motor	- Permanent magnet. Thermally protected. 24v dc.	Duty cycle	- Continuous.	
Pressure Switch	- Adjustable from 1.1 to 2.1 bar (standard) or 2.1 to 3.1 bar (high pressure - specify).			

TYPICAL PERFORMANCE



DIMENSIONS (mm)



All data is approximate. BUSflo is a registered trademark.

We reserve the right to change specifications and dimensions without notice.

© Leisure Accessories Limited 2005

- Fully automatic 3 chamber diaphragm pump.
- Purpose-designed for Buses and Coaches
- Quiet and smooth performance.
- Self-priming.
- Runs dry without damage.
- Continuously rated, balanced motor with overload protection for long life.
- Energy efficient - low amp draw.
- Conforms to the requirements of EMC (EN50081 & EN55014).
- Certified to EEC Directive 72/245/EEC (95/54/EC)
- Durable, heavy duty quality construction ensures service reliability.
- Manufactured in the United Kingdom.



ADDITIONAL MODEL AVAILABLE FOR BUS & COACH USE:
7 litre per minute fresh water demand pump.

FOR MARINE, MOTORHOME AND CARAVAN, OR OTHER APPLICATIONS PLEASE REQUEST DETAILS.

leisure accessories

BRITANNIA WORKS, HURRICANE WAY,
AIRPORT INDUSTRIAL ESTATE, NORWICH,
NR6 6EY, UNITED KINGDOM.

Telephone: +44 (0)1603 414551

Fax : +44 (0)1603 789026

E.mail : LEISUREACC@aol.com

Internet : www.leisureacc.com

Distributed by: